

STAS multirail max 12V

Installation Instructions

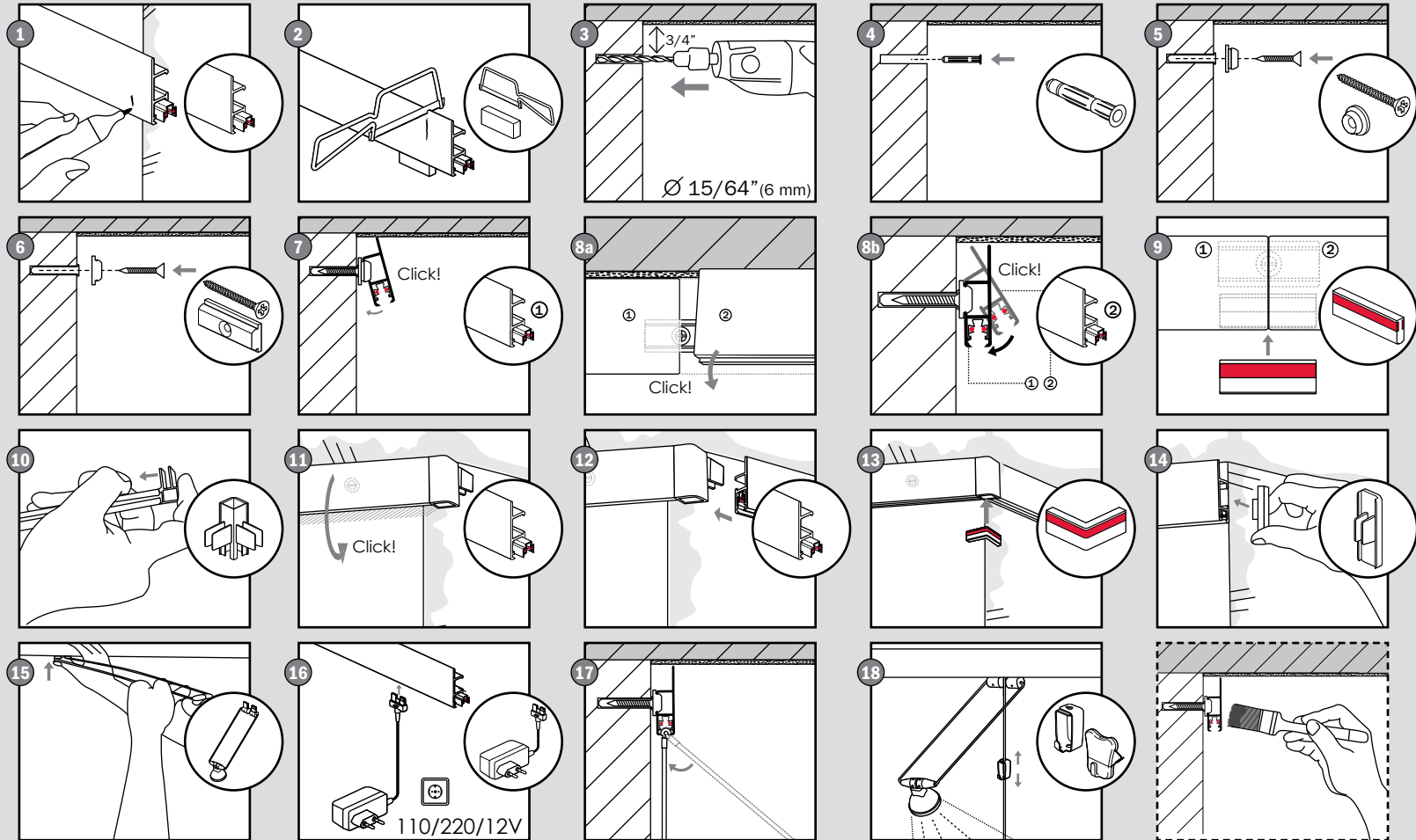
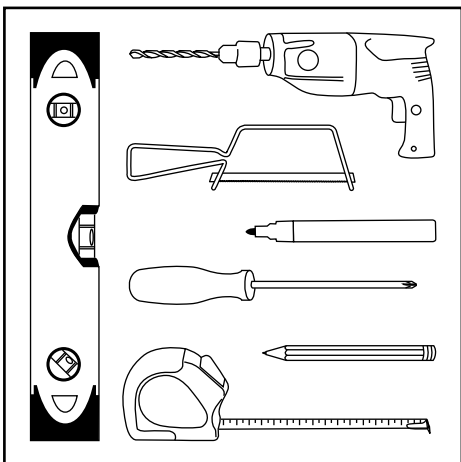
T. (805) 691-9047 - info@staspicturehanging.com

www.staspicturehanging.com

 Click here for mounting videos

https://store.staspicturehanging.com/stas_mounting_videos_s/1869.htm

store.staspicturehanging.com



See our STAS armatures manual