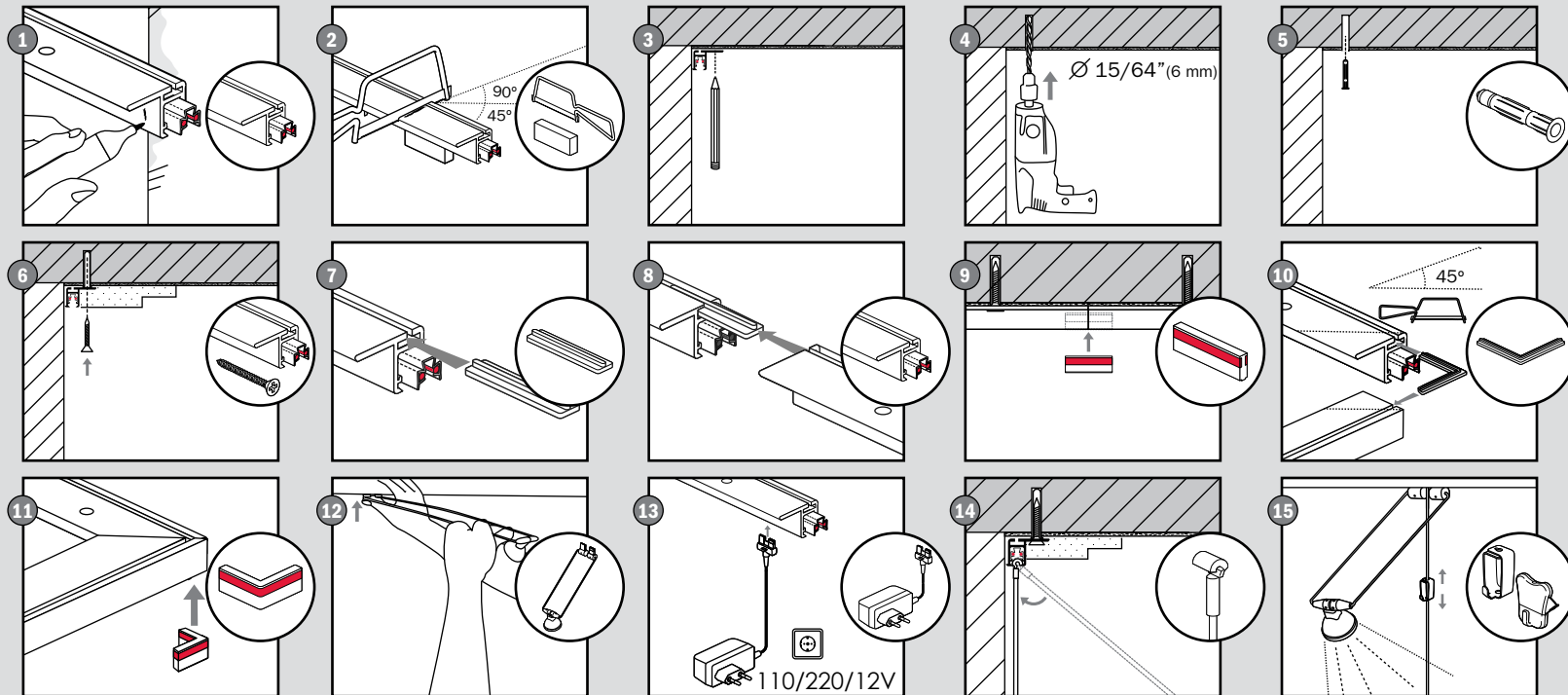
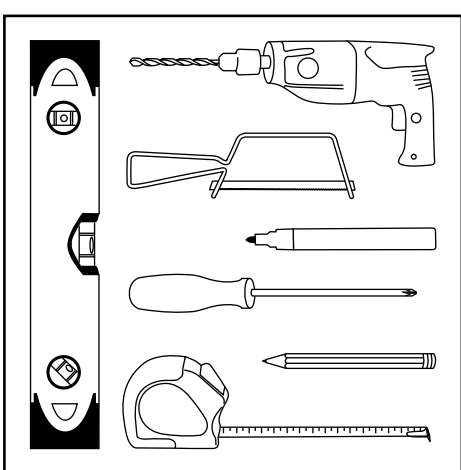


STAS multirail flat 12V Installation Instructions

T. (805) 691-9047 - info@staspicturehanging.com
www.staspicturehanging.com

 [Click here for mounting videos](https://store.staspicturehanging.com/stas_mounting_videos_s/1869.htm)
https://store.staspicturehanging.com/stas_mounting_videos_s/1869.htm

store.staspicturehanging.com



See our STAS armatures manual