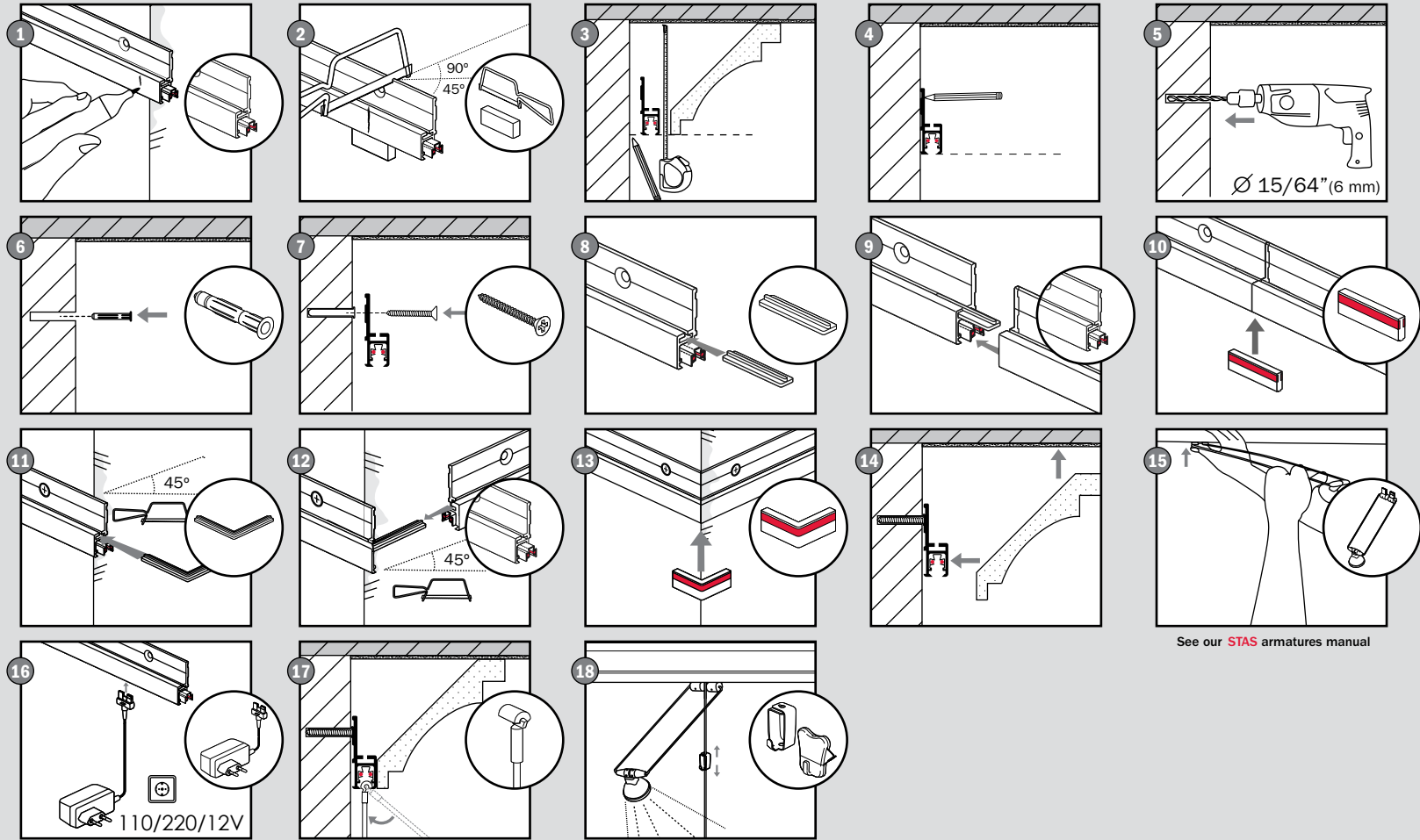
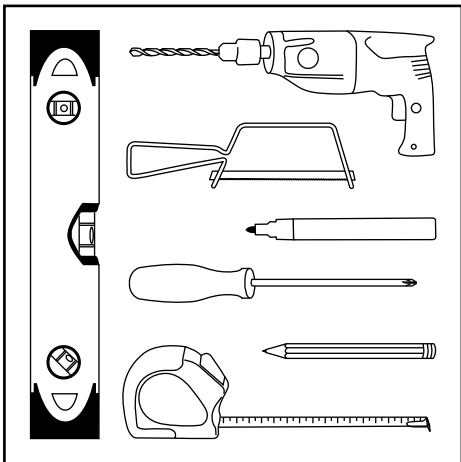


STAS multirail crown 12V
Installation Instructions

T. (805) 691-9047 - info@staspicturehanging.com
www.staspicturehanging.com

 **Click here for mounting videos**
https://store.staspicturehanging.com/stas_mounting_videos_s/1869.htm

store.staspicturehanging.com



See our **STAS** armatures manual