

**STAS multirail 12V**  
**Installation Instructions**

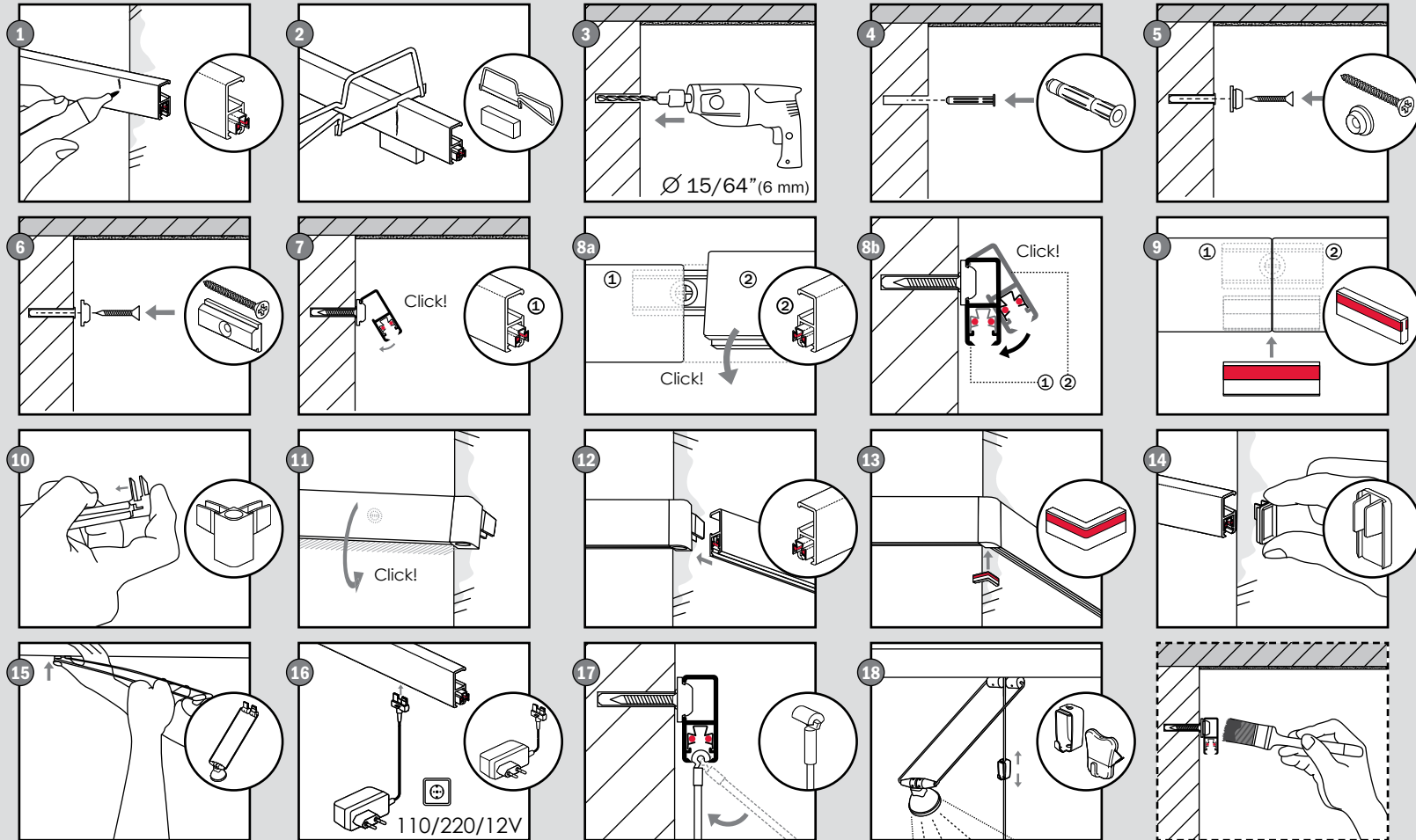
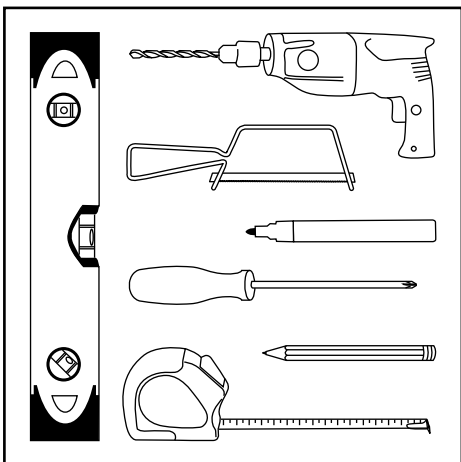
T. (805) 691-9047 - info@staspicturehanging.com

[www.staspicturehanging.com](http://www.staspicturehanging.com)

**Click here for mounting videos**

[https://store.staspicturehanging.com/stas\\_mounting\\_videos\\_s/1869.htm](https://store.staspicturehanging.com/stas_mounting_videos_s/1869.htm)

[store.staspicturehanging.com](http://store.staspicturehanging.com)



See our STAS armatures manual

110/220/12V